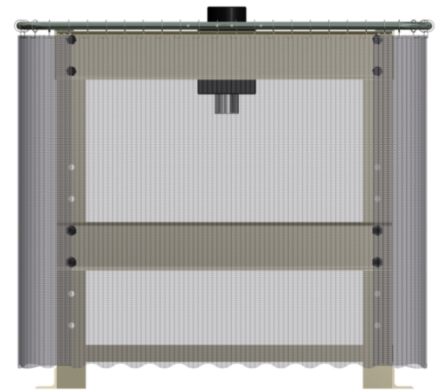
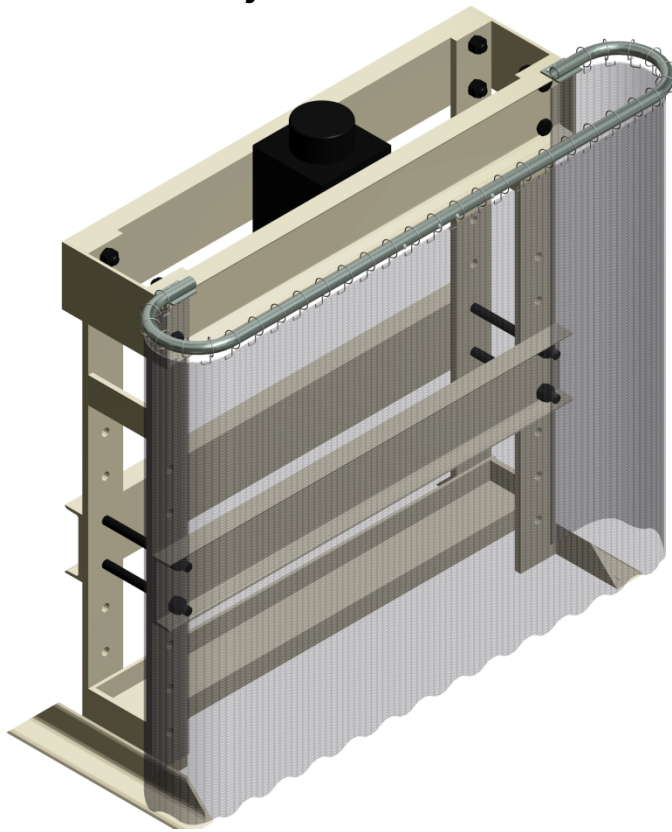
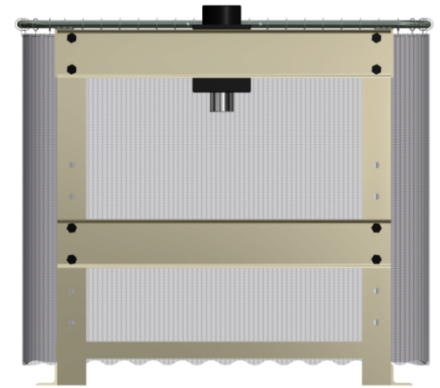


Installation Instructions – Industrial Safety Guards

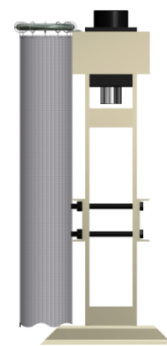
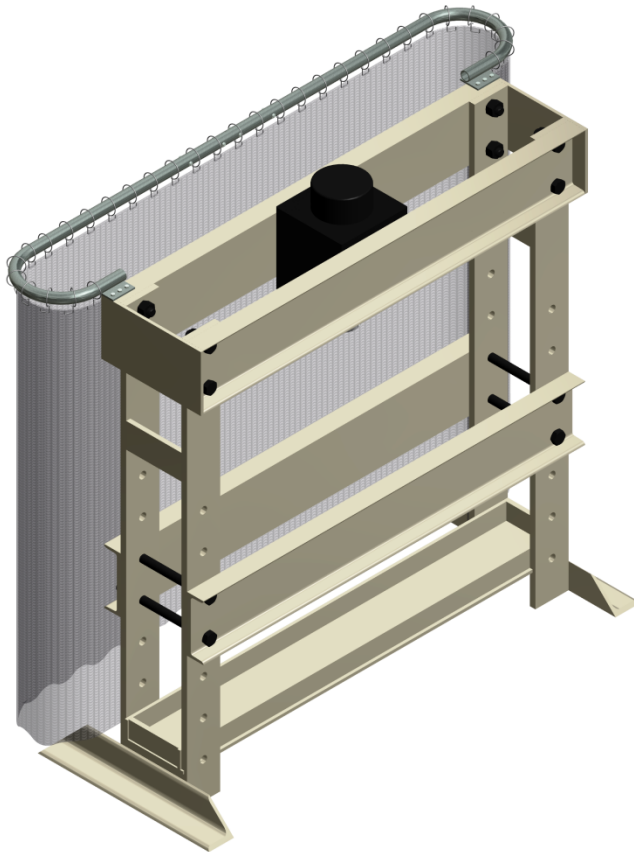
Press Guard Adjustable Curtain Assembly



FRONT



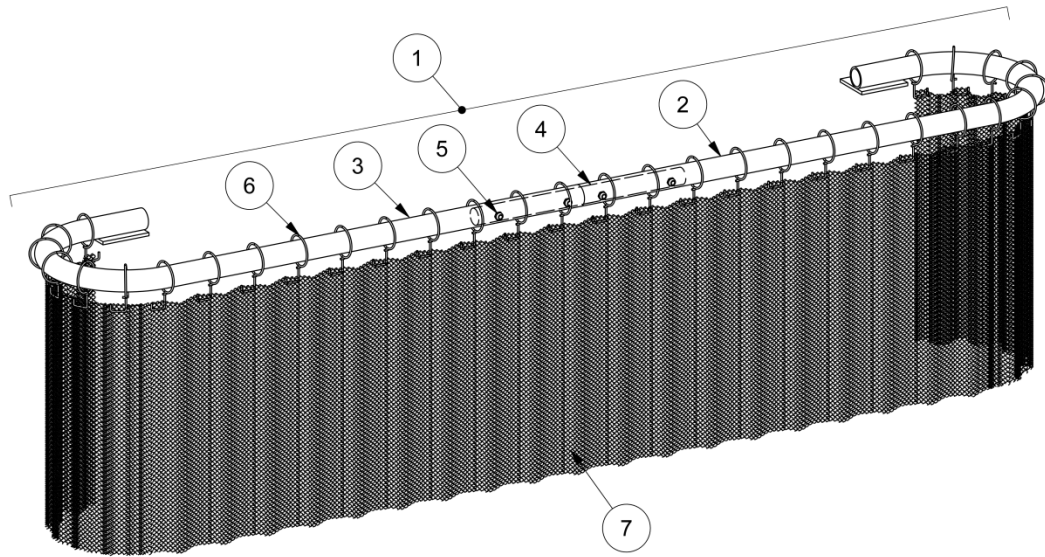
BACK



SIDE

Installation Instructions – Industrial Safety Guards

Press Guard Adjustable Curtain Assembly



	Component	Part Number	Quantity
①	Pipe Assembly, Adjustable Curtain, Press Guard	4504 {T030}	1
②	Support Pipe 1, Press Guard	4430-1	1
③	Support Pipe 2, Press Guard	4430-2	1
④	Support Pipe Insert, Press Guard	4430-3	1
⑤	Hardware Kit, Press Guard	4591	1
⑥	Industrial Safety Hook	4515-230	Varies, 6" o.c.
⑦	GuardianCoil®, Mesh Curtain	Varies	1

Installation Instructions – Industrial Safety Guards

Press Guard Adjustable Curtain Assembly Installation Steps

Support Pipe Shortening

Confirm the press mounting width is narrower than 72" [1829 mm]. If so, proceed to *Step 1 below*. If the press mounting width is 72" [1829 mm] or wider, skip Steps 1 & 2 and proceed to the **Support Pipe Assembly** section.

Step 1: Shorten one OR both of the Support Pipes by cutting the long side(s) of the pipe(s) based on the press mounting width and the Pipe Assembly dimensions shown in Figure 2 below. **Do not shorten the Support Pipe Insert.**

Step 2: Drill (2) 3/8"Ø [9.5 mm] in each *shortened* Support Pipe per Figure 3 below.

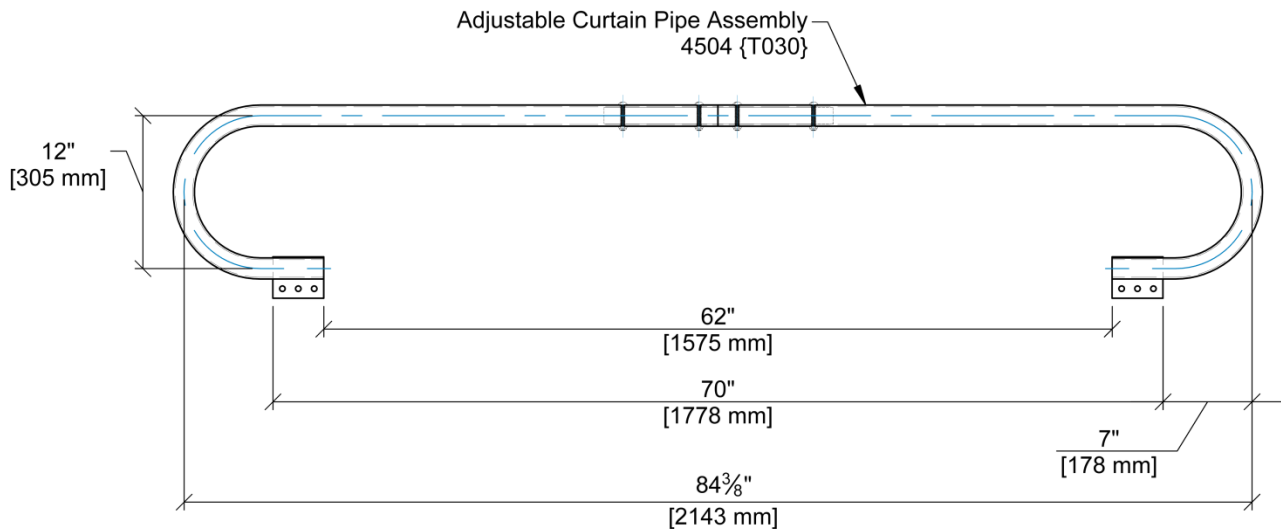


Figure 2

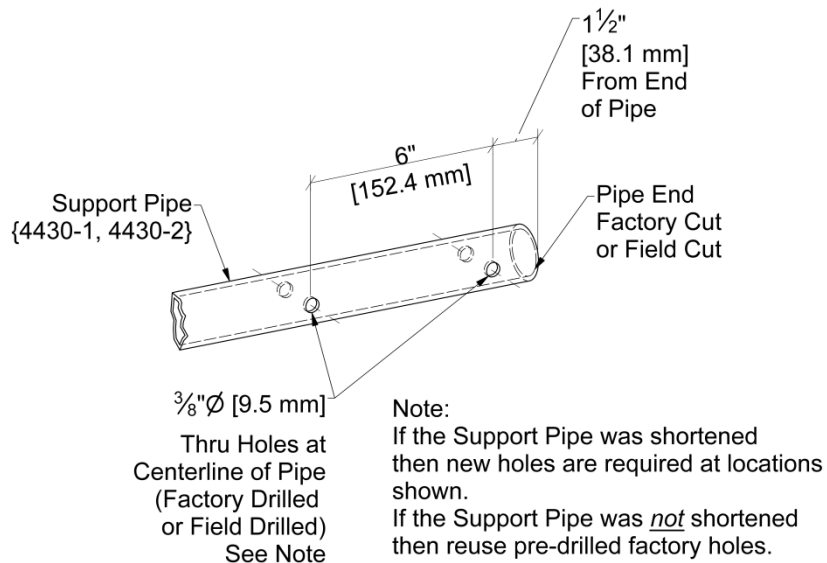


Figure 3

Installation Instructions – Industrial Safety Guards

Press Guard Adjustable Curtain Assembly Installation Steps

Support Pipe Assembly

Step 1: Slide the Support Pipe Insert into Support Pipe 1 as shown in Figure 4 below.

Step 2: Align the holes and install the provided 5/16"Ø bolts and nuts to lock the pipes together.

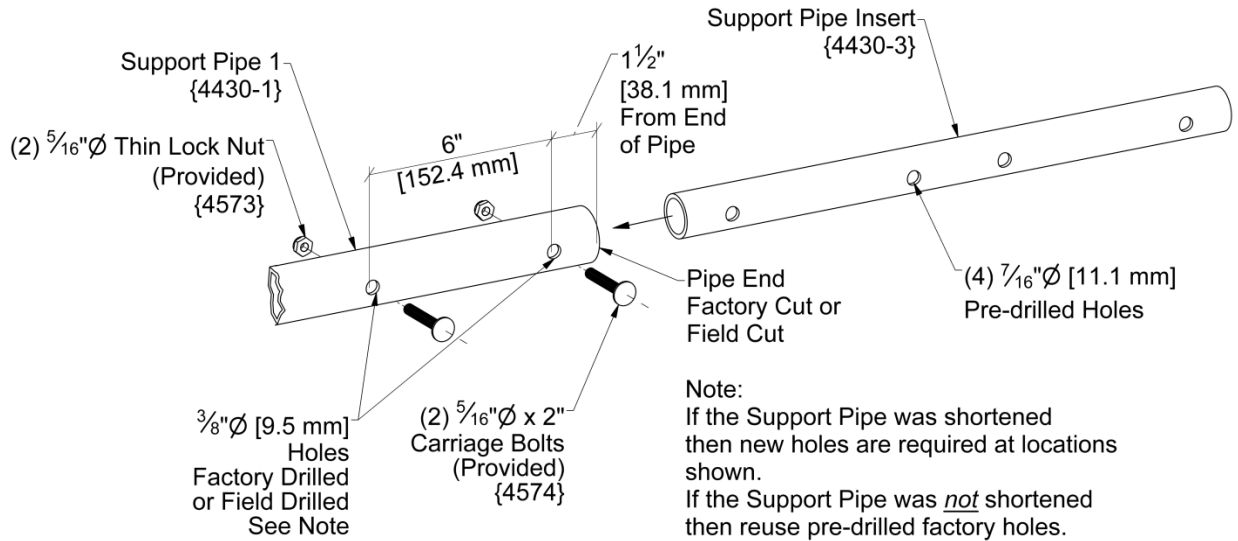


Figure 4

Step 3: Repeat Step 1 for Support Pipe 2.

Step 4: Revolve Support Pipe 2 around the Insert Pipe such that the Pre-Welded Bracket orientation matches that of Support Pipe 1 as shown in Figure 2.

Step 5: Align the holes and install the provided 5/16"Ø bolts and nuts to lock the pipes together.

Installation Instructions – Industrial Safety Guards

Press Guard Adjustable Curtain Assembly Installation Steps

Support Pipe Assembly Mounting

Installing the Press Guard Support Pipe Assembly requires field drilling (2) sets of holes in the press frame top flange. The Assembly is then mounted directly to the press frame using 3/8"Ø [M10] hardware that **must be provided by others.**

Step 1: Drill (3) 7/16"Ø [11.1 mm] holes through each end of the press frame top flange as shown in Figure 5 below.

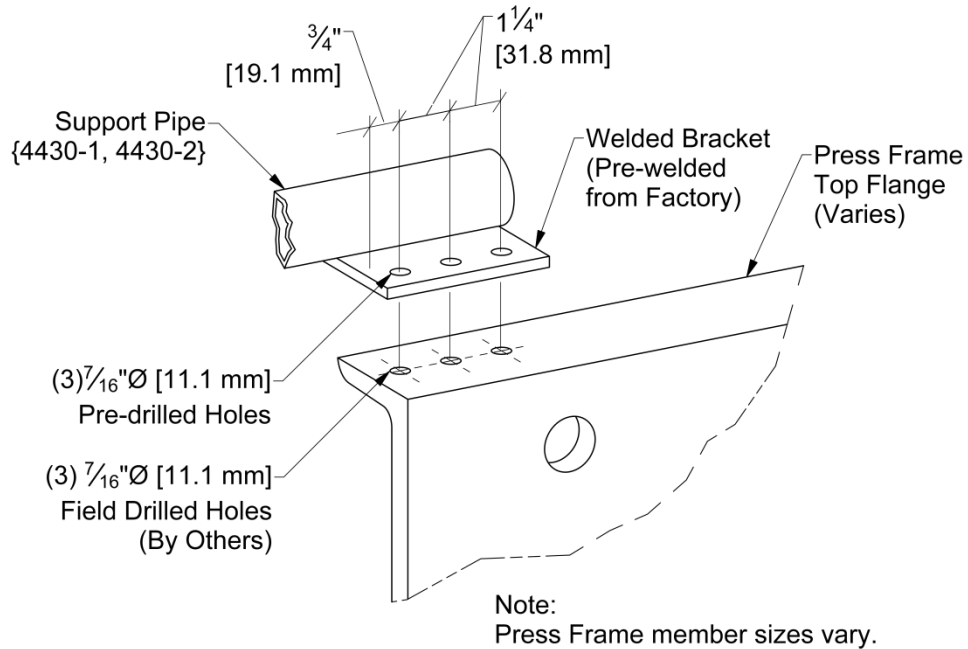


Figure 5

Installation Instructions – Industrial Safety Guards

Press Guard Adjustable Curtain Assembly Installation Steps

Support Pipe Assembly Mounting (Cont'd.)

Step 2: Attach the Support Pipe by installing (3) $\frac{3}{8}$ " \varnothing [M10] bolts through the Welded Bracket and tightening the nuts as shown in Figure 6 below.

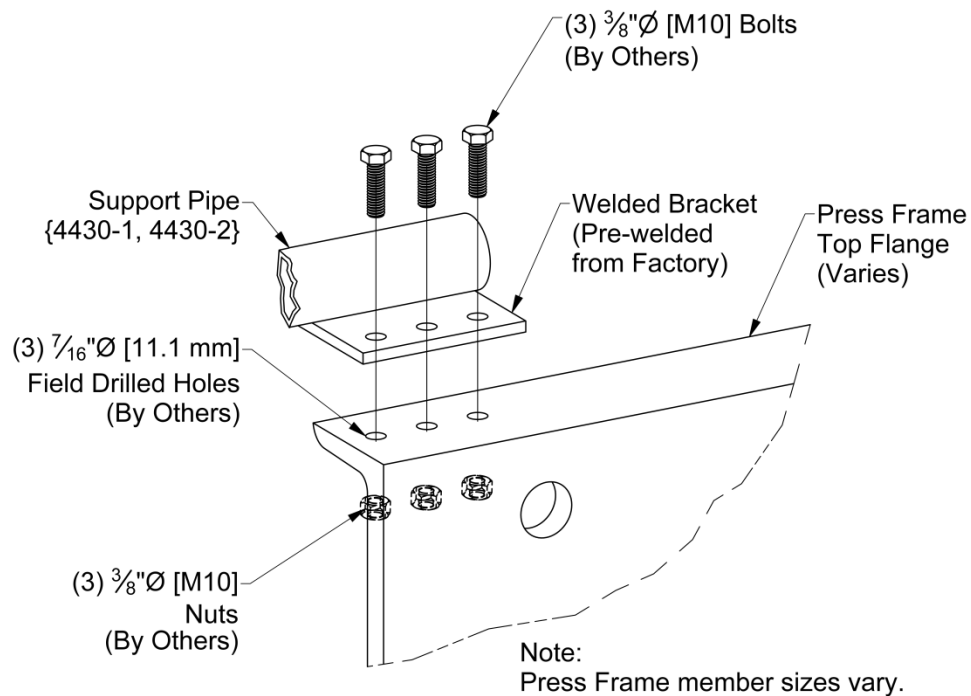


Figure 6

Installation Instructions – Industrial Safety Guards

Press Guard Adjustable Curtain Assembly Installation Steps

Safety Hook Installation onto Mesh

The GuardianCoil Mesh requires the Industrial Safety Hooks to be threaded through the fabric at 6" on center [152.4 mm] as shown in Figure 7.

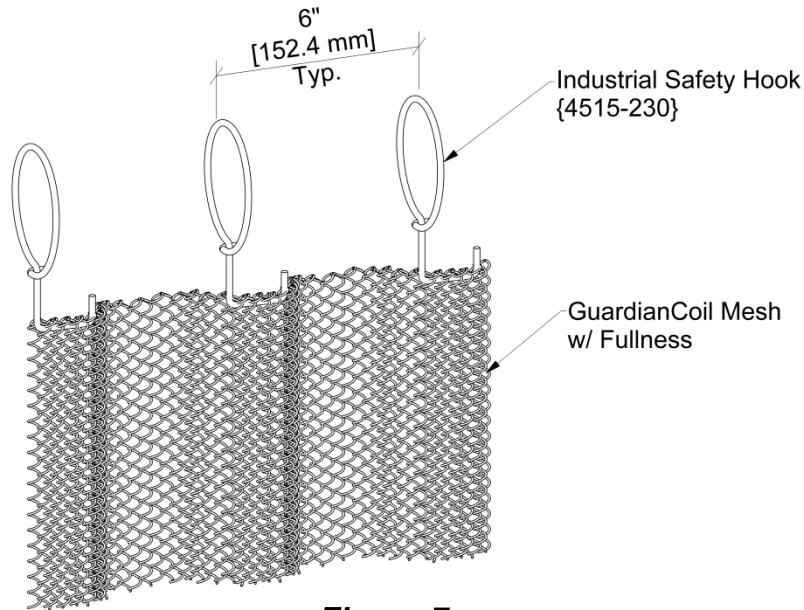


Figure 7

- Step 1:** Bunch 4-5 mesh coils together at the Hook location.
- Step 2:** Position the Hook horizontal and rotate it towards the Mesh.
- Step 3:** Push and twist the Hook through the first row of diamonds as shown in Figure 8.
- Step 4:** Continue to thread the Hook through all the bunched Coils as shown in Figure 9.
- Step 5:** Return the Hook to its upright position as shown in Figure 10.

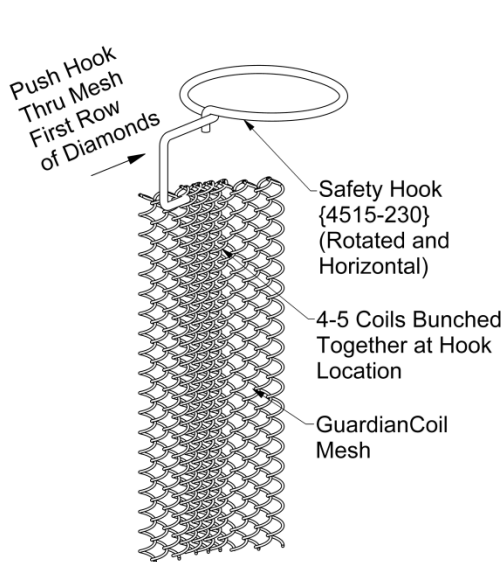


Figure 8

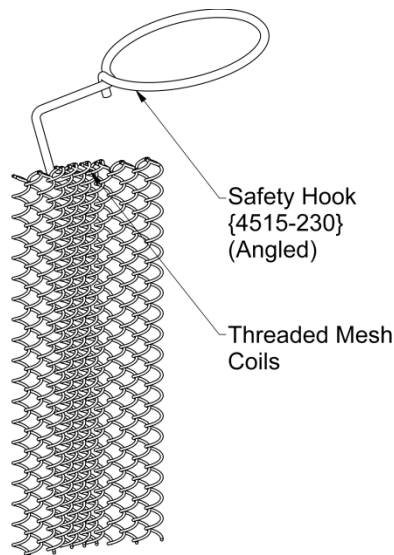


Figure 9

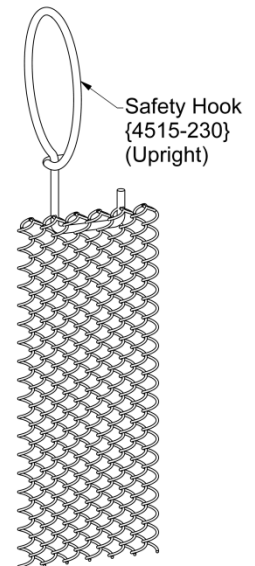


Figure 10

Installation Instructions – Industrial Safety Guards

Press Guard Adjustable Curtain Assembly Installation Steps

Mesh Curtain Installation

Install the Mesh Curtain onto the Support Assembly by individually forcing the unsnapped Safety Hooks over the Pipe Supports then spreading the Mesh evenly across the opening.

Step 1: Unsnap all the Safety Hooks.

Step 2: Pry the Hooks open wide enough to fit over the Support Pipe Assembly and force them on as shown in Figure 11.

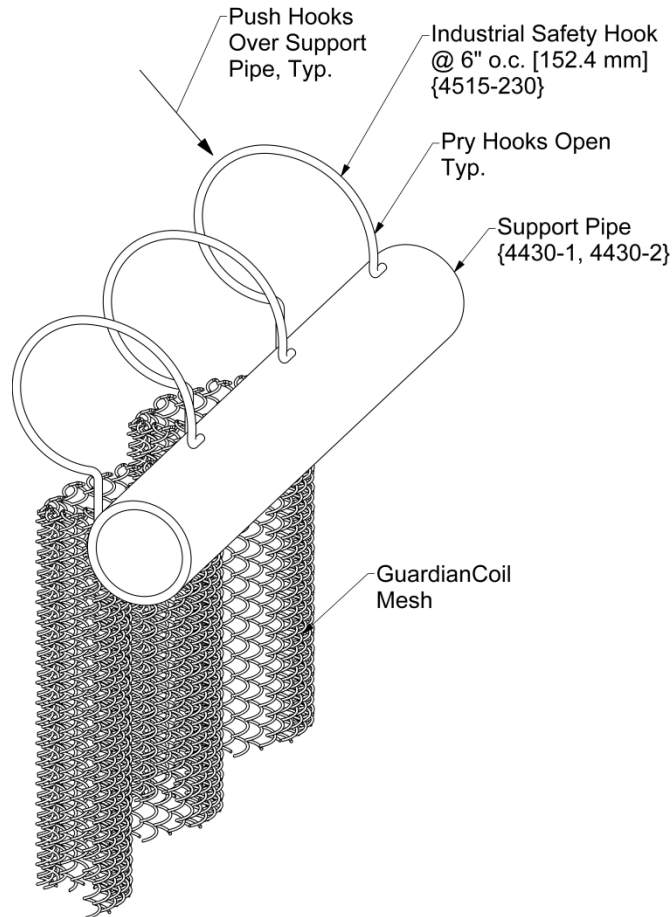


Figure 11

Installation Instructions – Industrial Safety Guards

Press Guard Adjustable Curtain Assembly Installation Steps

Mesh Curtain Installation (Cont'd.)

Step 3: Re-snap all the Safety Hooks.

Step 4: Adjust the Mesh Curtain fullness evenly across the opening as shown in Figure 12 below.

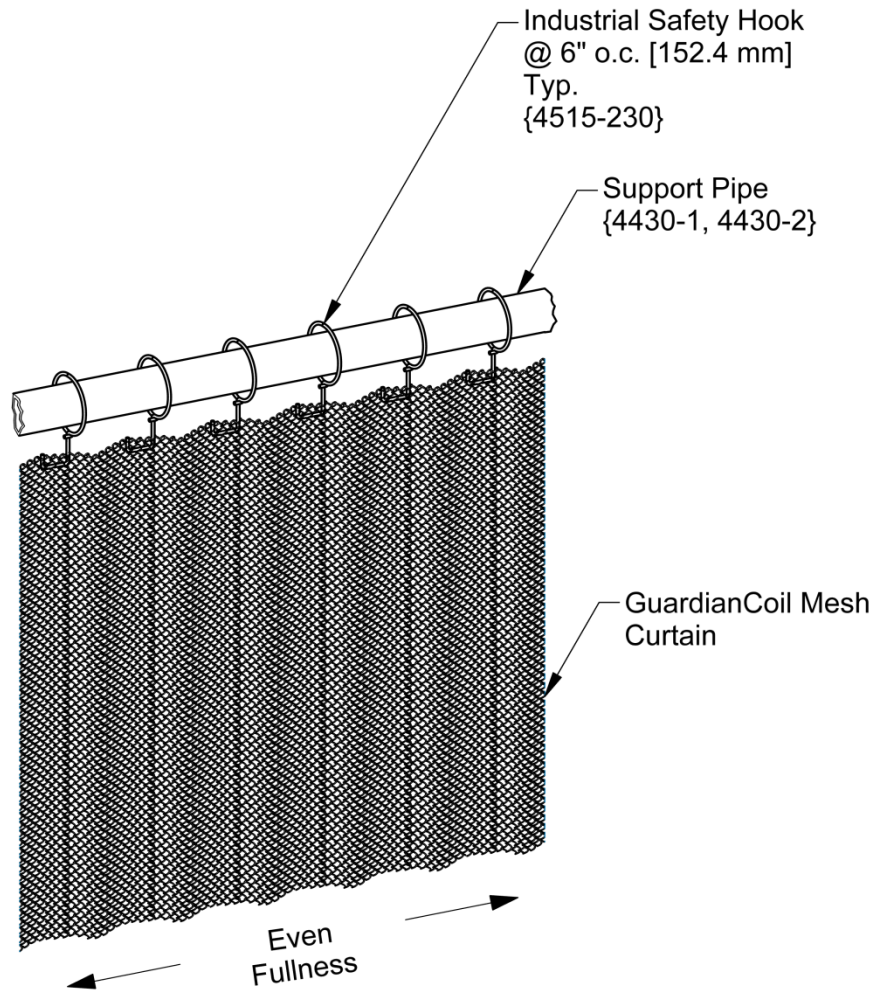


Figure 12